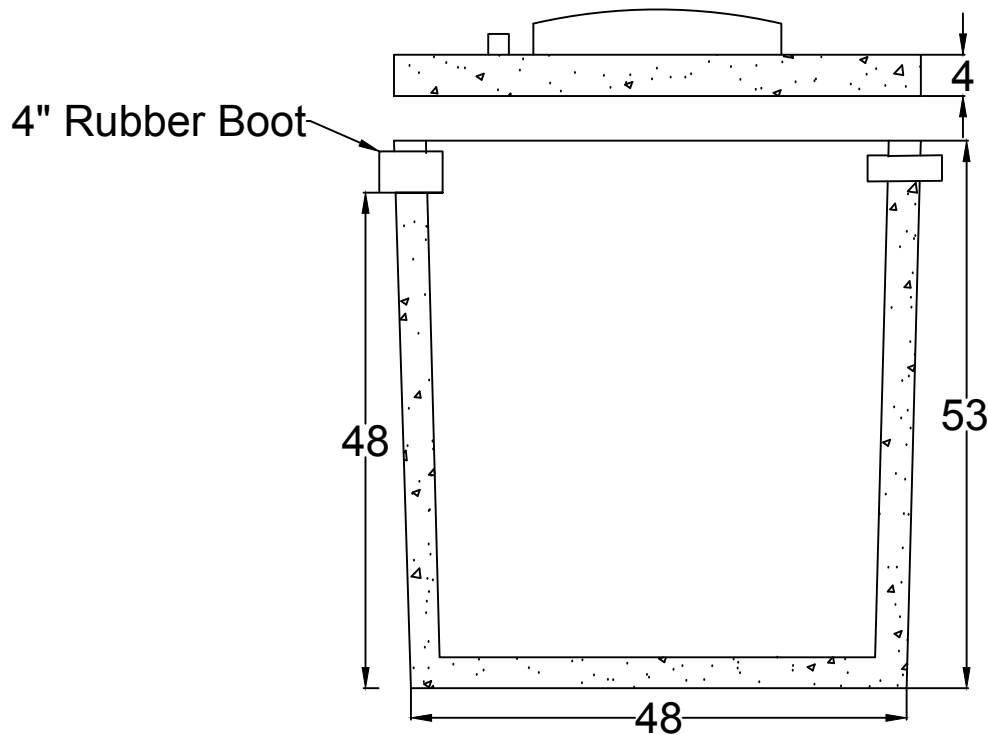


Notes:

1. Concrete Strength to be 32 MPa @ 28 days
2. Lid Reinforced with 10M @ 12" ea. way
3. Concrete contains MacMatrix 2" Fibers
4. Lid & Bottom sealed with Conseal CS-665
5. 100mm Rubber boot cast into wall of tank for Inlet, 2" for Outlet
6. 24" Polylok Riser and Lid
7. CS 600 Loading Tank & Lid Available



**DAN'S**  
*Pre-Cast*  
**LTD.**

6100 Scott Rd.  
Duncan, B.C.  
250-746-7400  
[www.dansprecast.com](http://www.dansprecast.com)

**300 IMP. GAL. PUMP CHAMBER.**  
**(909 LITRES)**

Gals/inch: 6.59

DATE: JANUARY 28, 2017

DRAWN BY:

EJG